



FEATURES

- PCB Mount Switching Power Modules
- Class II Construction
- Fully Encapsulated Plastic Case
- 90-264VAC, 47-440Hz Universal Input
- Regulated Output with Low Ripple and Low Noise
- 2.06" x 1.07" x 0.93" Compact Size
- CE, CB, UL, cUL Approvals



MODELS LIST

Product No.	TEC8S3.3	TEC10S5	TEC10S12	TEC10S15	TEC10S24
Maximum Output Wattage	8.25W	10W	10W	10W	10W
Output Voltage	3.3V	5V	12V	15V	24V
Max. Output Current	2500mA	2000mA	833mA	667mA	417mA
Max. Capacitive Load	75000µF	40000µF	8500µF	3500µF	1200µF
Efficiency	74%	79%	82%	78%	80%

INPUT SPECIFICATIONS

Input Voltage 90 to 264VAC, 120 to 370VDC
 Input Frequency 47 to 440Hz
 Input Current (Full Load) 220mA max. @ 115VAC
 150mA max. @ 230VAC
 Inrush Current 10A max. @ 115VAC
 20A max. @ 230VAC
 Leakage Current 0.25mA max.

OUTPUT SPECIFICATIONS

Output Wattage 10W max.
 Output Voltage Accuracy ±2%
 Line Regulation ±0.3%
 Load Regulation ±0.5%
 Minimum Load Not required
 Ripple* 40mVp-p max.
 Noise* 50mVp-p max.
 Hold-up Time 15ms min.
 Switching Frequency 125kHz
 Overpower Protection Hiccup mode, auto-recovery
 Overvoltage Protection Zener diode clamp
 Short-circuit Protection Hiccup mode, indefinite
 (auto-recovery)
 Input-Output Isolation 3000VAC

* Ripple & Noise are measured at 20MHz of bandwidth with 0.1µF & 47µF capacitors

All specifications typical at nominal input voltage, full load and +25°C after warm-up time unless otherwise noted.

ENVIRONMENTAL SPECIFICATIONS

Operating Temperature -25°C to +70°C
 Cooling Method Free air convection
 Derating Derate linearly from 100% @ 50°C
 to 25% @ 70°C
 Storage Temperature -40°C to +85°C
 Temperature Coefficient ±0.02%/°C
 Relative Humidity 20-85% RH
 MTBF min. 330,000 hours at full load
 @ 25°C ambient, calculated per
 MIL-HDBK-217F

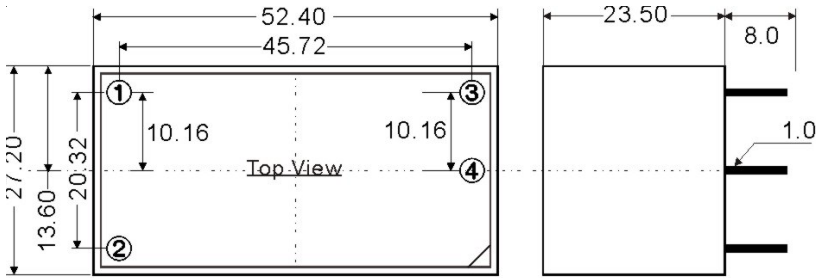
GENERAL SPECIFICATIONS

Dimension (LxWxH) 2.06 x 1.07 x 0.93 inches
 52.4 x 27.2 x 23.5 mm
 Case Material: Plastic resin with UL 94V-0 rated
 Fiberglass case
 Weight 54g
 Vibration 10-55Hz 0.5mm width/1 minute cycle
 Shock 20G peak acceleration

SAFETY STANDARDS AND APPROVALS

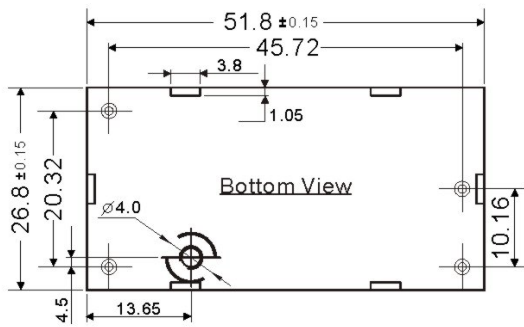
Safety Approvals UL/cUL (60950-1)
 CB report (IEC60950-1)
 CE Mark
 EMI EN55022, Class B
 (Conducted & Radiated Emission)
 EMS EN55024 (Noise Immunity)

MECHANICAL SPECIFICATIONS



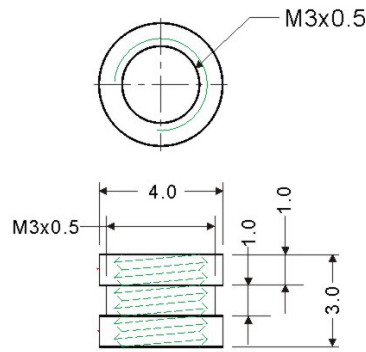
PIN CHART

PIN 1	AC IN (N)
PIN 2	AC IN (L)
PIN 3	+DC OUT
PIN 4	-DC OUT



Tolerance ± 0.1 mm

Unit: mm
Tolerance: ± 0.1 mm



Maximum Torque 12{1.21} (kgf.cm(N.m))

DERATING

