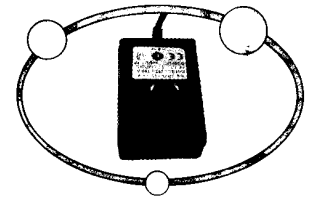
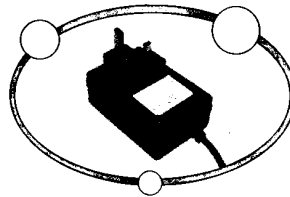
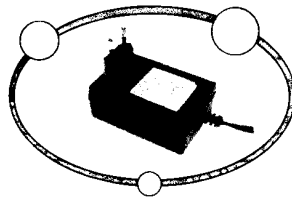
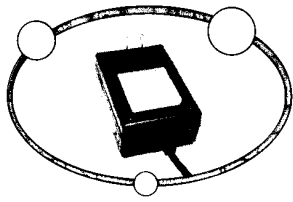


# XX18 & XX25 Series 18W & 25W Wall Mount Adapters



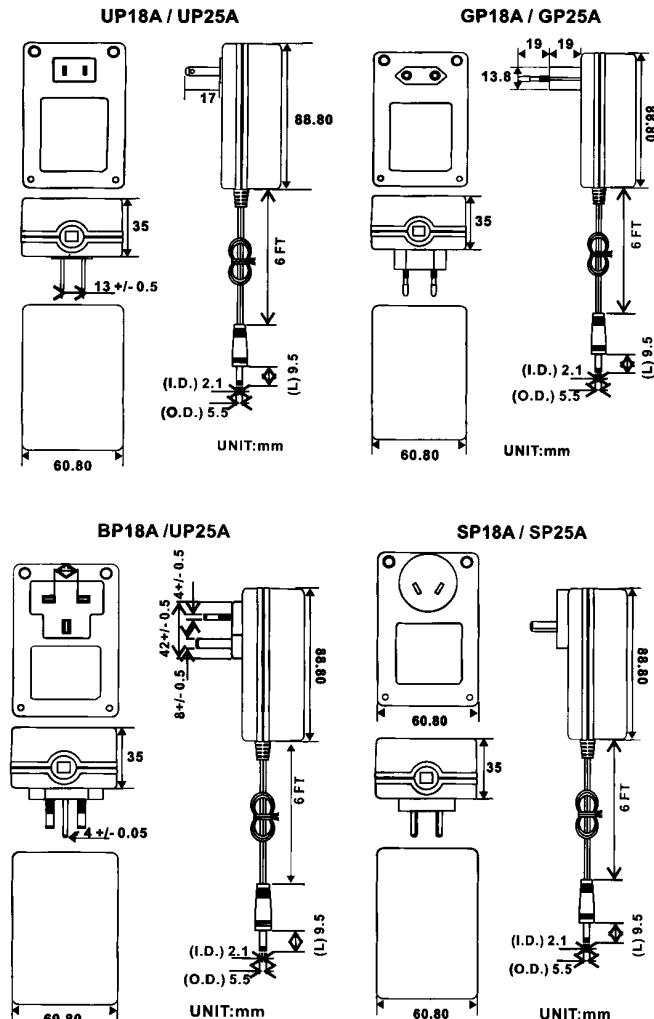
## SPECIFICATIONS

- o Input Range.....90~264VAC
- o Inrush Current.....Max. 80A for 90~264VAC
- o Hi-Pot test:.....Primary-Secondary.....3000VAC, 1Sec.
- o Efficiency.....70% Typical
- o Voltage Regulation.....± 5%
- o Ripple & Noise.....100mVp-p max.
- o Operating Temperature.....-5 to +40°C
- o Storage Temperature.....-5 to +80°C
- o Protections.....OCP (150%)
- o Safety.....UL/CUL/TUV/CE/CB
- o EMI.....In compliance with CISPR22 Class B

Model No. :(XX)18, (XX)25 series

1. XX = (UP) For USA type AC Plug
2. XX = (GP) For Europe type AC Plug
3. XX = (BP) For UK type AC Plug
4. XX = (SP) For Australia type AC Plug

## Mechanical Drawing: (mm)



## 18W Model List



Model Number	Output Voltage/Current	Model Number	Output Voltage/Current
XX18-0294200A	2.9V/4.20A	XX18-1351300A	13.5V/1.30A
XX18-0334200A	3.3V/4.20A	XX18-1401250A	14V/1.25A
XX18-0403800A	4V/3.80A	XX18-1451200A	14.5V/1.20A
XX18-0453800A	4.5V/3.80A	XX18-1501200A	15V/1.20A
XX18-0503600A	5V/3.60A	XX18-1551150A	15V/1.15A
XX18-0553250A	5.5V/3.25A	XX18-1601100A	16V/1.10A
XX18-0603000A	6V/3.00A	XX18-1651050A	16.5V/1.05A
XX18-0652750A	6.5V/2.75A	XX18-1701050A	17V/1.05A
XX18-0702550A	7V/2.55A	XX18-1751000A	17.5V/1.00A
XX18-0752400A	7.5V/2.40A	XX18-1801000A	18V/1.00A
XX18-0802250A	8V/2.25A	XX18-1850950A	18.5V/0.95A
XX18-0852100A	8.5V/2.10A	XX18-1900900A	19V/0.90A
XX18-0902000A	9V/2.00A	XX18-1950900A	19.5V/0.90A
XX18-0951850A	9.5V/1.85A	XX18-2000900A	20V/0.90A
XX18-1001800A	10V/1.80A	XX18-2100850A	21V/0.85A
XX18-1051700A	10.5V/1.70A	XX18-2200800A	22V/0.80A
XX18-1101600A	11V/1.60A	XX18-2300750A	23V/0.75A
XX18-1151550A	11.5V/1.55A	XX18-2400750A	24V/0.75A
XX18-1201500A	12V/1.50A	XX18-2500700A	25V/0.70A
XX18-1261400A	12.6V/1.40A	XX18-2600650A	26V/0.65A

## 25W Model List



Model Number	Output Voltage/Current	Model Number	Output Voltage/Current
XX25-0604150A	6V/4.15A	XX25-1501650A	15V/1.65A
XX25-0653800A	6.5V/3.80A	XX25-1551600A	15.5V/1.60A
XX25-0703550A	7V/3.55A	XX25-1601550A	16V/1.55A
XX25-0753300A	7.5V/3.30A	XX25-1651500A	16.5V/1.50A
XX25-0803100A	8V/3.10A	XX25-1701450A	17V/1.45A
XX25-0852900A	8.5V/2.9A	XX25-1751400A	17.5V/1.40A
XX25-0902750A	9V/2.75A	XX25-1801350A	18V/1.35A
XX25-0952600A	9.5V/2.6A	XX25-1851350A	18.5V/1.35A
XX25-1002500A	10V/2.5A	XX25-1901300A	19V/1.30A
XX25-1052350A	10.5V/2.35A	XX25-1951250A	19.5V/1.25A
XX25-1102250A	11V/2.25A	XX25-2001200A	20V/1.20A
XX25-1152150A	11.5V/2.15A	XX25-2101150A	21V/1.15A
XX25-1202050A	12V/2.05A	XX25-2201100A	22V/1.10A
XX25-1262000A	12.6V/2.0A	XX25-2301050A	23V/1.05A
XX25-1301900A	13V/1.90A	XX25-2401000A	24V/1.00A
XX25-1351850A	13.5V/1.85A	XX25-2501000A	25V/1.00A
XX25-1401750A	14V/1.75A	XX25-2600950A	26V/0.95A
XX25-1451700A	14.5V/1.7A	XX25-2700900A	27V/0.90A